

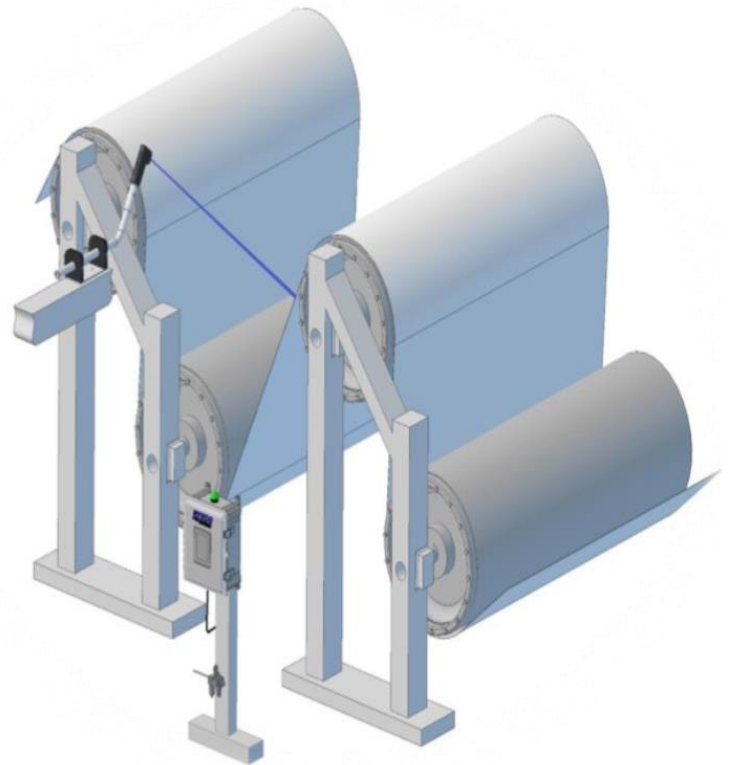


ONE 9010 System detects sheet breaks at any location on your machine

This is the ONE sensor for all locations and applications on your machine. The LED light sensor, utilizing proprietary technology, simultaneously memorizes color, contrast, and texture of the moving web.

The Smart ONE 9010 System detects breaks at distances of up to 15 feet. Longer mounting distances allow sensors to be mounted out of harms way and unaffected by collateral damage from the web.

- LED color sensing handles all paper grade/coating types
- Mounting distance from the Web Path avoids collateral damage.
- One touch calibration simplifies setup
- Proven in all applications
- Performs in high humidity environments
- Performance monitoring provides full knowledge of product activity



Applications

- Open Draw
- Sheet on Cylinder
- Sheet on Felt
- Tight spaces
- Harsh Environments

Benefits

- 15 ft. Detection*
- Patented Air Purge
- Performance Data
- Maintenance Alarm

Long distance mounting up to 15 feet



SHEET BREAK | TURN-UP SYSTEMS
MARKING TECHNOLOGIES
EDGE CRACK DETECTION | PAPERBAND
83 Peebles Valley Road, Cartersville, GA 30121



MONARCH
PAPER GROUP

monarchpapergroup.com